

The background image shows three men in safety gear on a high-rise building site. They are wearing hard hats, safety glasses, and high-visibility vests. The man on the left is wearing a white hard hat and safety glasses. The man in the middle is wearing a black hard hat, sunglasses, and a red glove. The man on the right is wearing a white hard hat and safety glasses. They are all smiling and looking towards the camera. The text is overlaid on the image.

# HD Bolts Installation & Inspection Procedure

Enhancing Access, Safety & Efficiency  
in High-Rise Building Maintenance

**IntegralCradles** GIND | UK

DESIGN • MANUFACTURE • INSTALLATION • MAINTENANCE



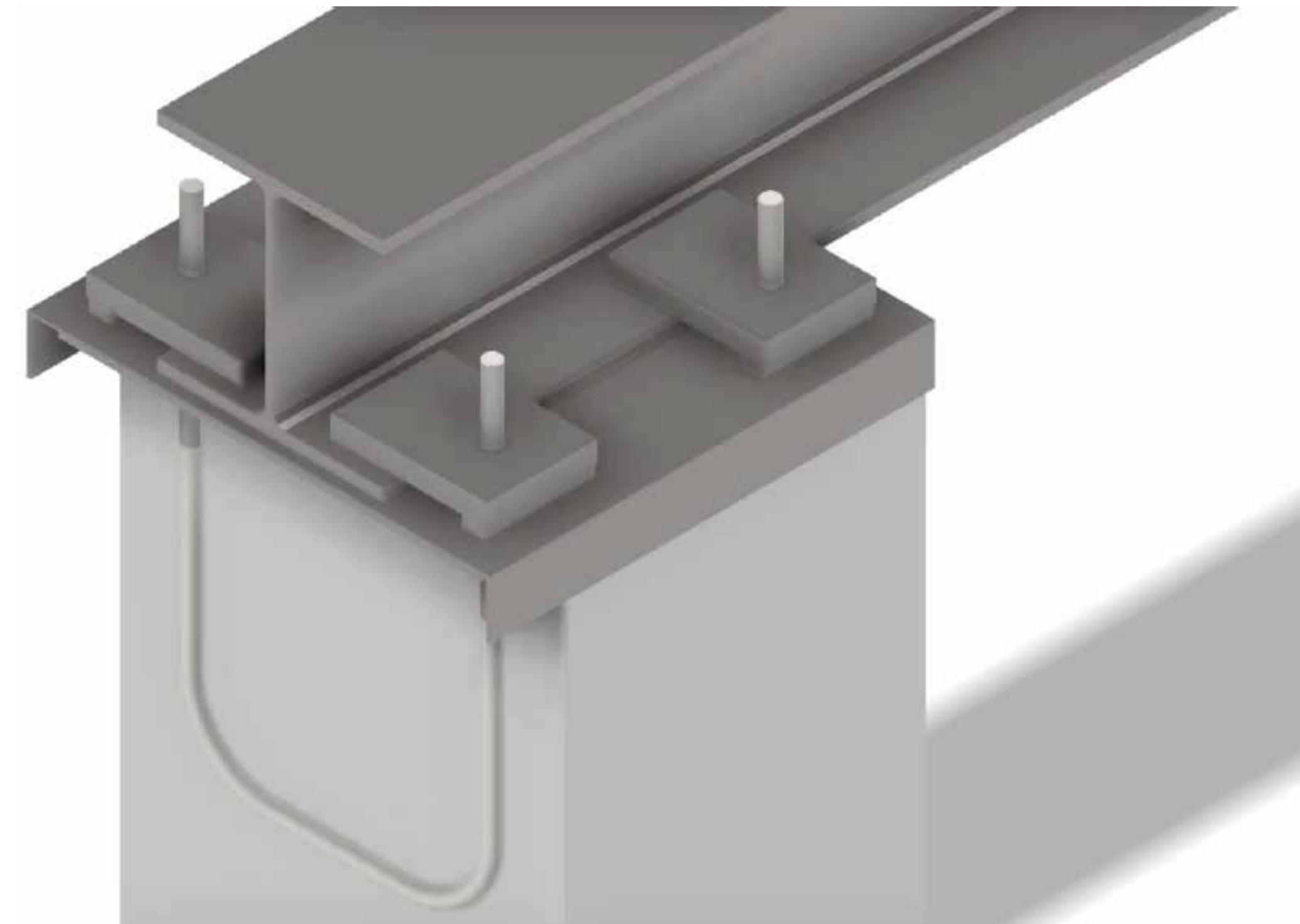
# Recommended Plinth Detail

The document details the recommended concrete plinth detail, installation sequence and inspection regime. If procedure within this document is followed, then the LOLER Inspector has a reduced requirement to internally inspect the plinths in future.

There is a Safed LG3 requirement of exposing 5% of the plinths after 10 years, unless this procedure has been followed and Stainless Steel anchor bolts used. If this procedure is followed there would be a requirement to just inspect one plinth in 10 years, if deemed necessary. However this unlikely as ultrasonic testing would be used instead.

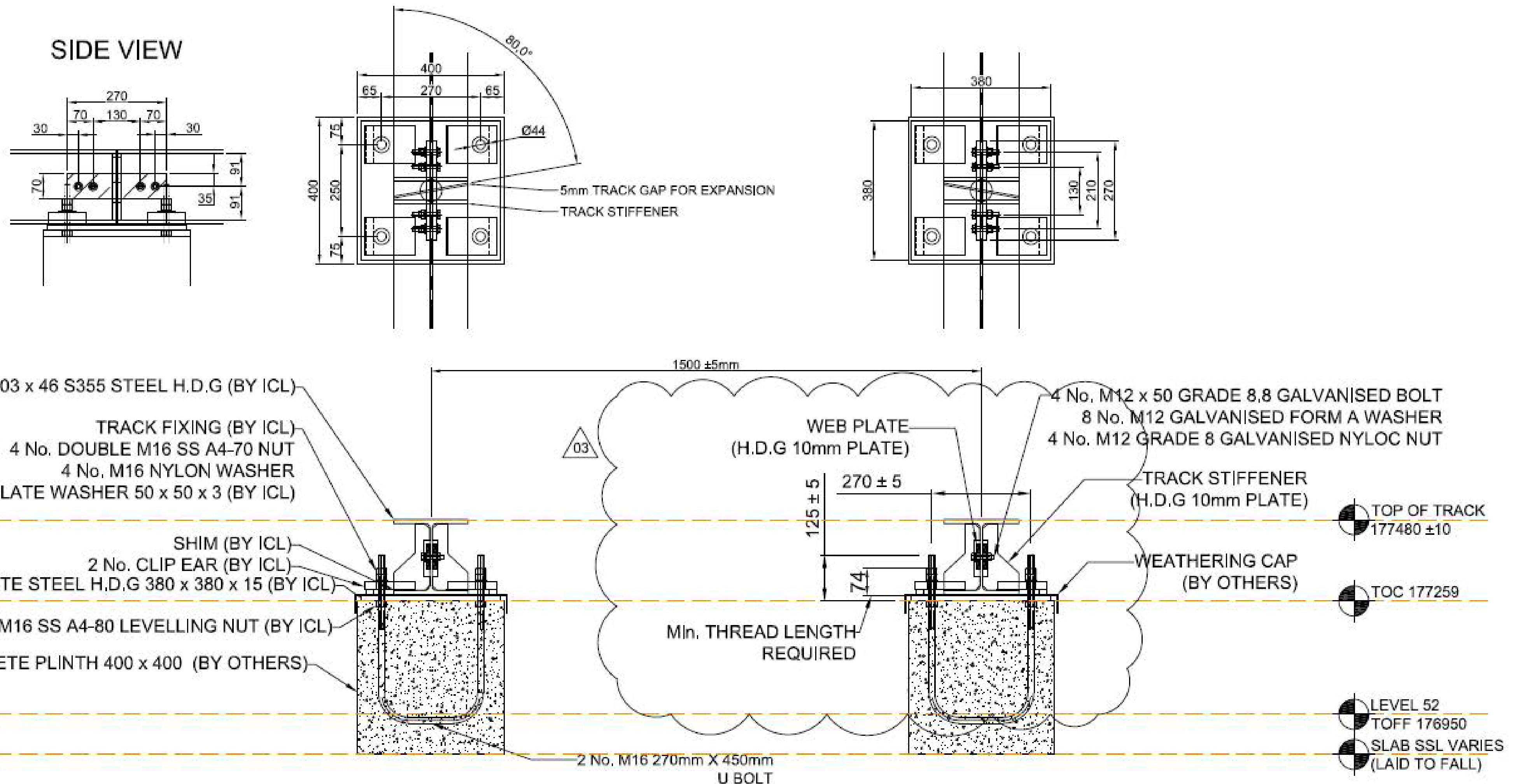
## Installation Sequence / Inspection Regime:

- 1 Upstand HD bolts with bed plate free issued to concrete contractor.
- 2 Upstand starter bars are installed into rebar mat by others.
- 3 LOLER inspection of starter bars.
- 4 Plinths are formed and upstand bolts installed by others to a specified tolerance.
- 5 LOLER inspection of plinth, rebar, bed plates and HD bolts.
- 6 Concrete is poured for concrete plinths.
- 7 Waterproofing and insulation installed around the concrete plinths (by others).
- 8 Track Installed by ICL engineers.



# Typical Plinth Detail

## Connection Detail





# Recommended Plinth Detail

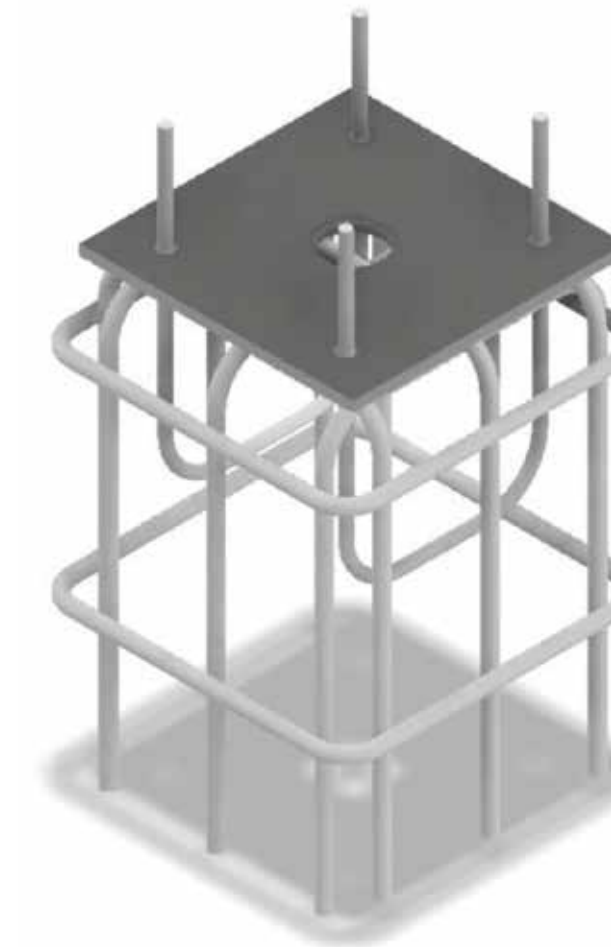
Photographs taken during installation / survey visits



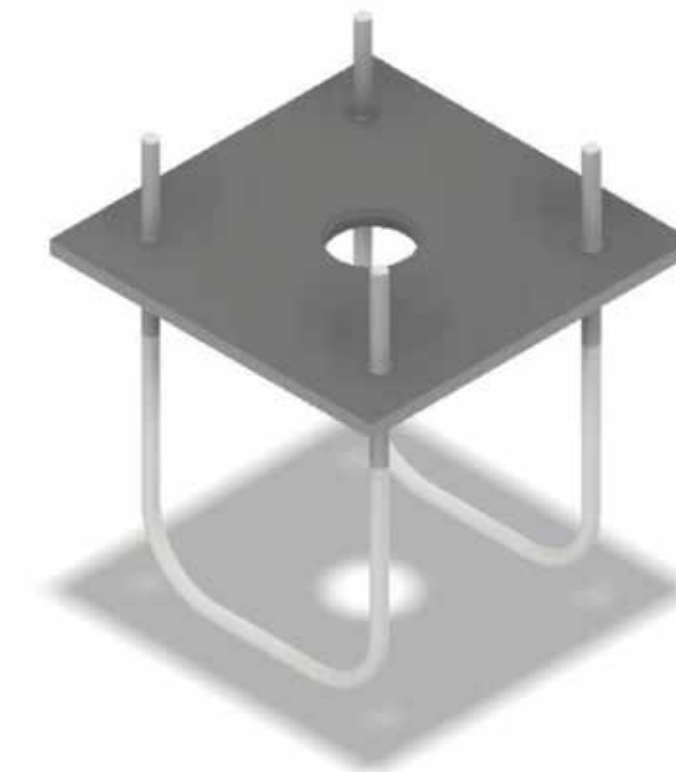
LOLER Inspection carried out



Main slab poured with typical formed upstand starter bars showing



Typical setting out board installed on shuttering



Typical 'U' bars fixed to setting out board ('U' bars can be supplied)



# Recommended Plinth Detail

Photographs taken during installation / survey visits



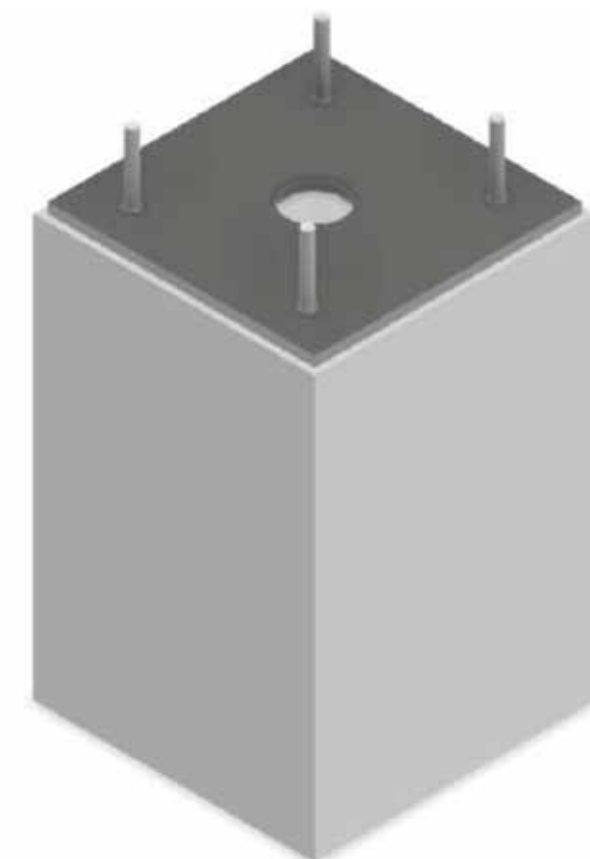
Alignment checked before pouring



Bed plate installed and grouted in



Insulation applied



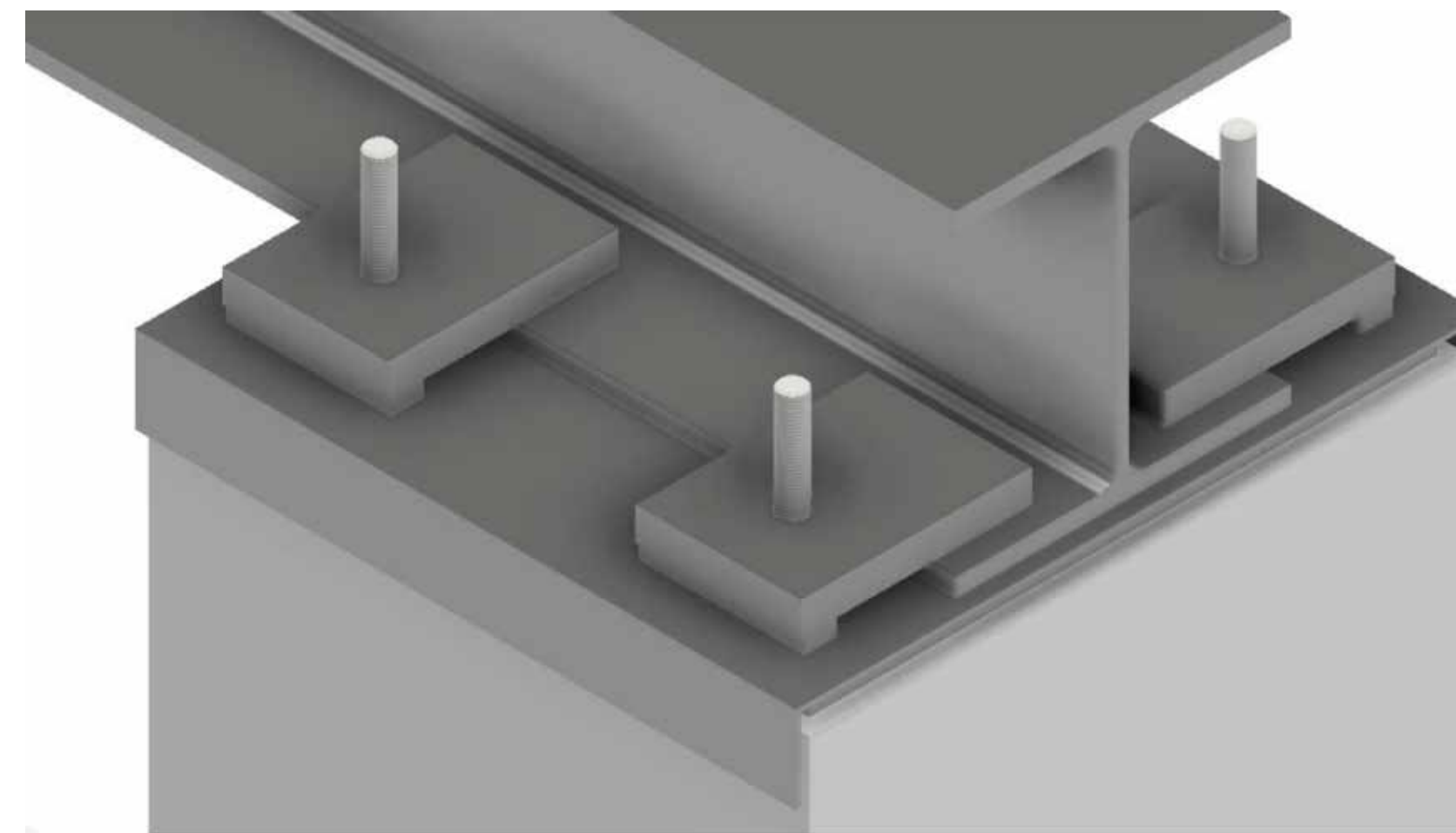
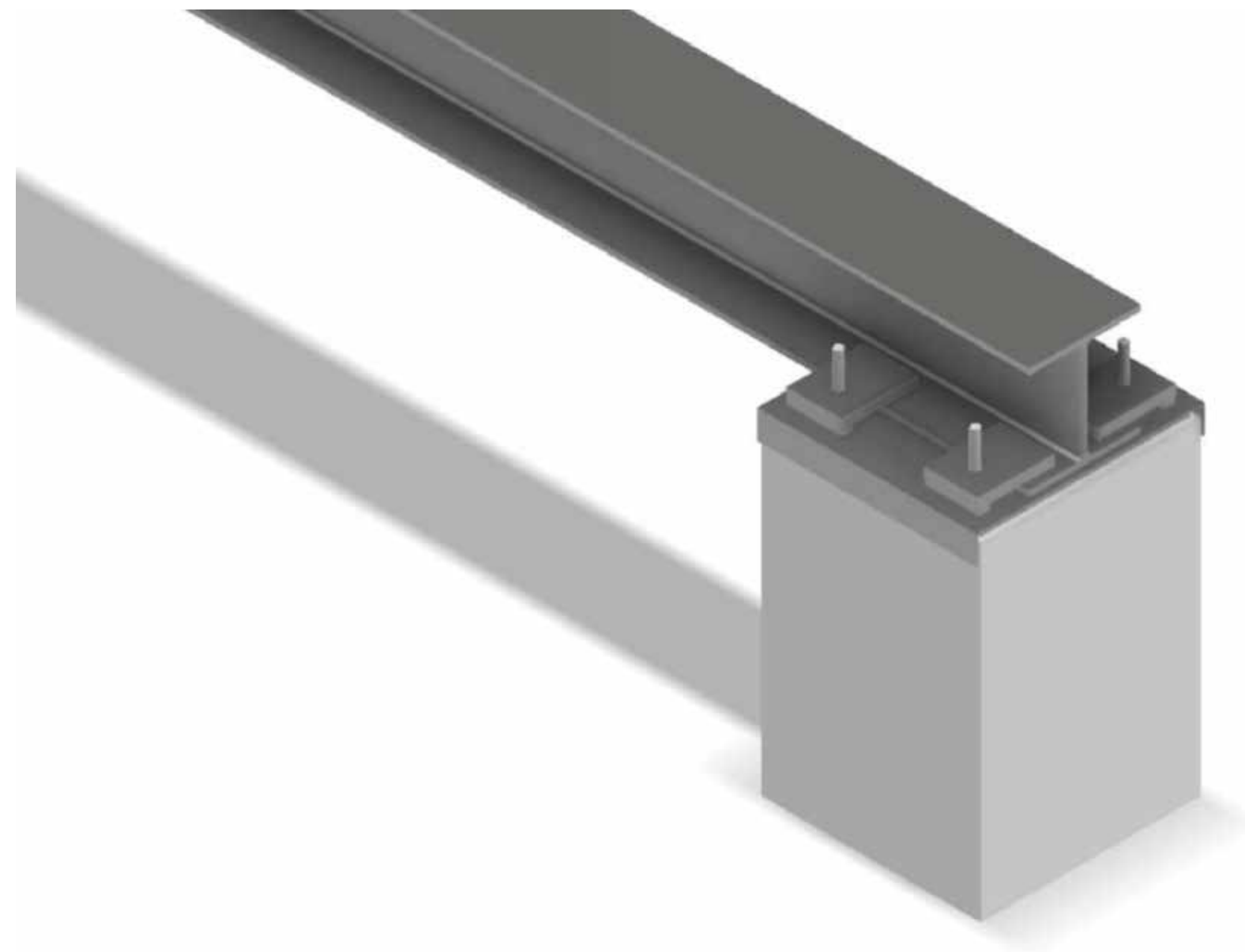
Bed plates installed and levelled



# Recommended Plinth Detail

---

Photographs taken during installation / survey visits



Track installed on top of bed plates

Completed track installed



# How to contact us

Integral Cradles Ltd / GIND UK

The Beehive Building

Beehive Ring Rd

Gatwick

RH6 0PA

0845 074 2758 | 0800 448 8884

[www.i-cradles.com](http://www.i-cradles.com) | [www.gind.uk](http://www.gind.uk)

**IntegralCradles** **GINN** | **UK**

DESIGN • MANUFACTURE • INSTALLATION • MAINTENANCE